

# Pressure Protection Valve (PPV) Install Instructions

# Haldex

L31258

2/10

## Proper Installation

1. Install Pressure Protection Valve (PPV) to an air reservoir with the arrow on the top of the valve pointing in the direction of air flow, see Figure 2. Check Valve version may differ from Figure 2.
2. Use a drop of Loctite to lubricate threaded connections. DO NOT USE a pipe compound or teflon tape as they may clog the valve.
3. Position valve as noted on valve body, see Figures 1 & 2. Note: PPV must be positioned as shown with top of valve up. Failure to correctly position the valve may result in reduction of product life.
4. After PPV has been installed and connected to the height control system air lines, pressurize air system with a constant air supply in excess of 15 psi (1 bar above operating pressure).
5. Check all connections for air leaks.

Figure 1. Pressure Protection Valve

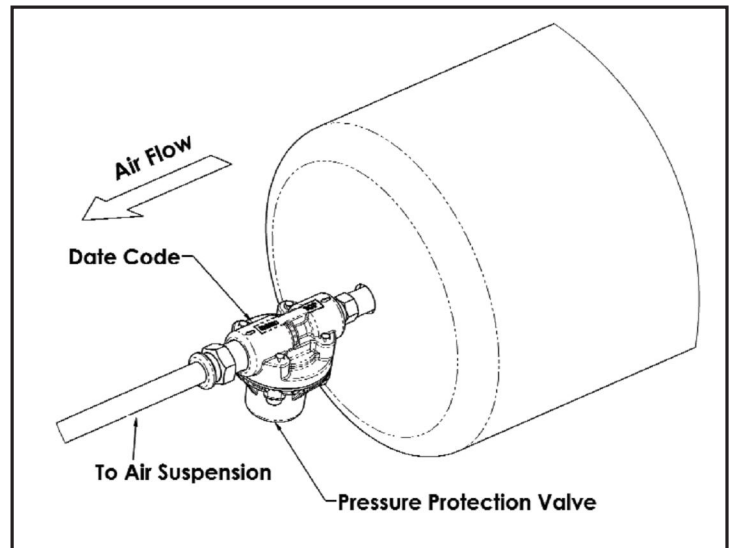
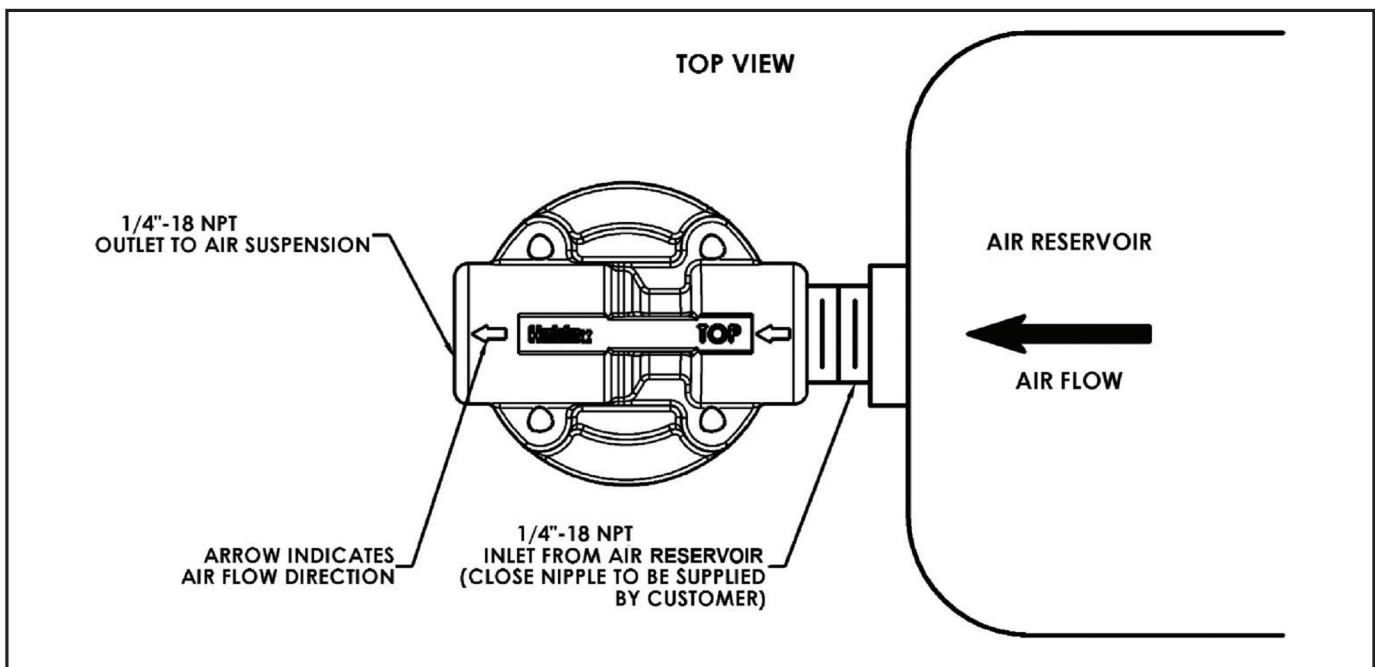


Figure 2. PPV



Warning: The products described within this literature, including without limitation, product features, specifications, designs, availability and pricing are subject to change by Haldex and its subsidiaries at any time without notice.

This document and other information from Haldex, its subsidiaries and authorized distributors provide product and/or system options for further investigation by users having technical expertise. It is important that you analyze all aspects of your application and review the information concerning the product or system, in the current literature or catalog. Due to the variety of operating conditions and applications for these products or systems, the user, through their own analysis and testing, is solely responsible for making the final selection of the products and systems and assuring that all performance, safety and warning requirements are met.

**Continued  
on Reverse**

# Pressure Protection Valve (PPV) Install Instructions Continued



**L31258**

**2/10**

### Periodic Maintenance

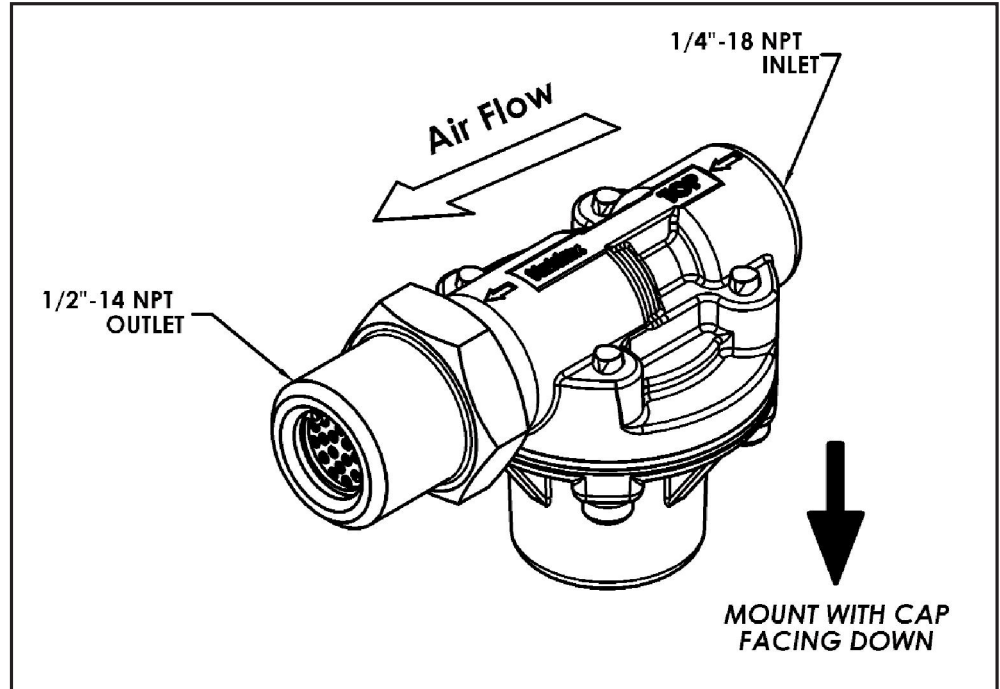
Moisture and other system impurities will affect valve performance.

Conducting routine air system maintenance can help prevent any damage to air system components. Never introduce foreign chemicals into any air system. Drain all moisture from air reservoirs at regular intervals.

#### IMPORTANT

The Pressure Protection Valve maintains reservoir pressure. This pressure is predetermined and tested at production. See table below for corresponding pressures.

**Figure 3. PPV with Optional Check Valve**



	AM Part Number	OE Part Number	Closing Pressure +/- 10 psi	Ports
PPV Only	90555396	90555399	65 psi (4.5 Bar)	1/4" NPT
	90555397	90555400	80 psi (5.5 Bar)	1/4" NPT
	90555398	90555401	90 psi (6.2 Bar)	1/4" NPT
PPV with One -Way Check	90555409	90555406	65 psi (4.5 Bar)	1/4" NPT, 1/2" NPT
	90555410	90555407	80 psi (5.5 Bar)	1/4" NPT, 1/2" NPT
	90555411	90555408	90 psi (6.2 Bar)	1/4" NPT, 1/2" NPT

L31258 US 2/10 ART ONLY

### Haldex Commercial Vehicle Systems

**Haldex Brake Products Corporation**  
 10930 N. Pomona Ave.  
 Kansas City, MO 64153-1256  
 Phone: 816-891-2470  
 Fax: 816-891-9447

**Haldex Limited**  
 500 Pinebush Road Unit #1  
 Cambridge, ON Canada N1T 0A5  
 Phone: 519-621-6722  
 Fax: 519-621-3924

[www.haldex.com](http://www.haldex.com)