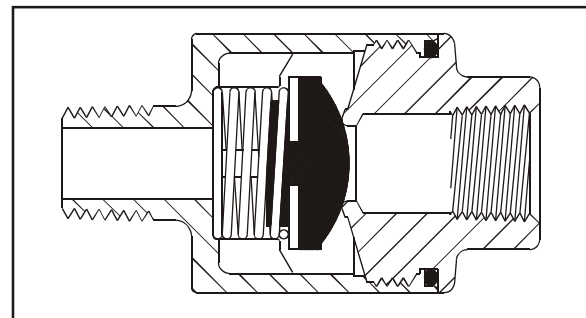
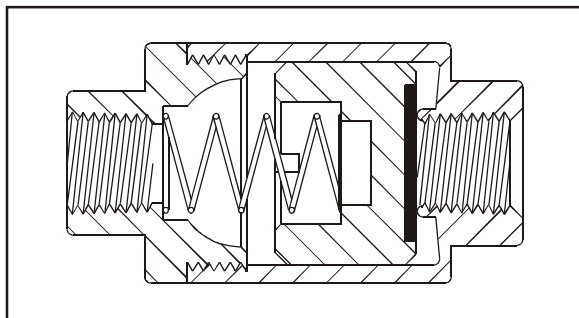
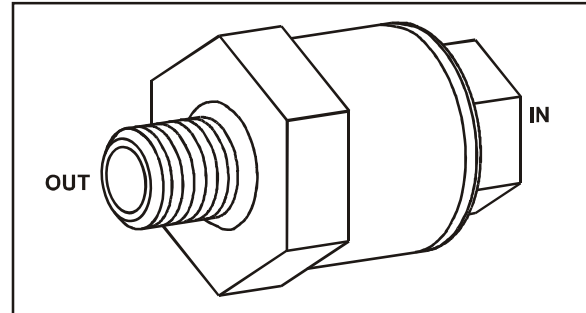
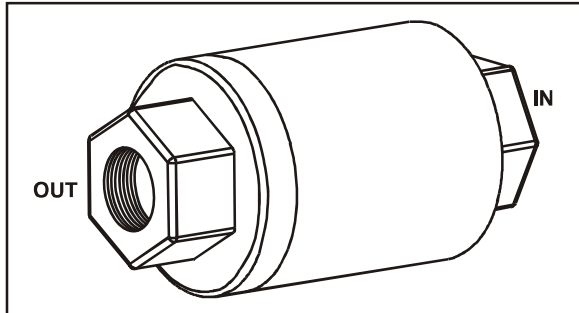


CHECK VALVES

One - Way Check Valves



2200 Series

10200 Series

INFORMATION:

- Commonly used ahead of and in between air reservoirs
- Allows air to flow through the valve in only one direction from inlet to outlet
- When loss of inlet pressure occurs, prevents air from flowing back through valve
- Piping examples on pages 72 & 73

PART NUMBER	PORT SIZES (NPT)	
	Inlet	Outlet
2200 1/4	1/4"	1/4"
2200 1/2	1/2"	1/2"
2200 3/4	3/4"	3/4"

PART NUMBER	PORT SIZES (NPT)	
	Inlet	Outlet
10200 3/8	3/8"	3/8"
10200 1/2	1/2"	1/2"
10200 3/4	3/4"	3/4"
102001	3/4"	1/2"
102002	1/2"	3/4"