

TECHNICAL PROCEDURE

INTRAAX®

SUBJECT: Shock Mount Assembly Procedure

LIT NO: L635

DATE: January 2013

REVISION: D

Hendrickson uses a shear-type bolt in the lower shock absorber connection. To obtain the proper clamp load, install hardened washers on each side of the shock absorber bushing (Figure 1), or install the shock strap clevis (Figure 2), and tighten the shear-type bolt until the bolt's Torx head shears off. Use an E20 Torx socket to tighten and shear the bolt. Torx head separation occurs between 200 and 240 ft. lbs. (271 and 325 N•m) of torque.

The upper shock mount is tightened to 225 ft. lbs. (305 N•m) of torque (Figure 4).

Failure to follow these instructions could result in damage to the suspension and / or its components.

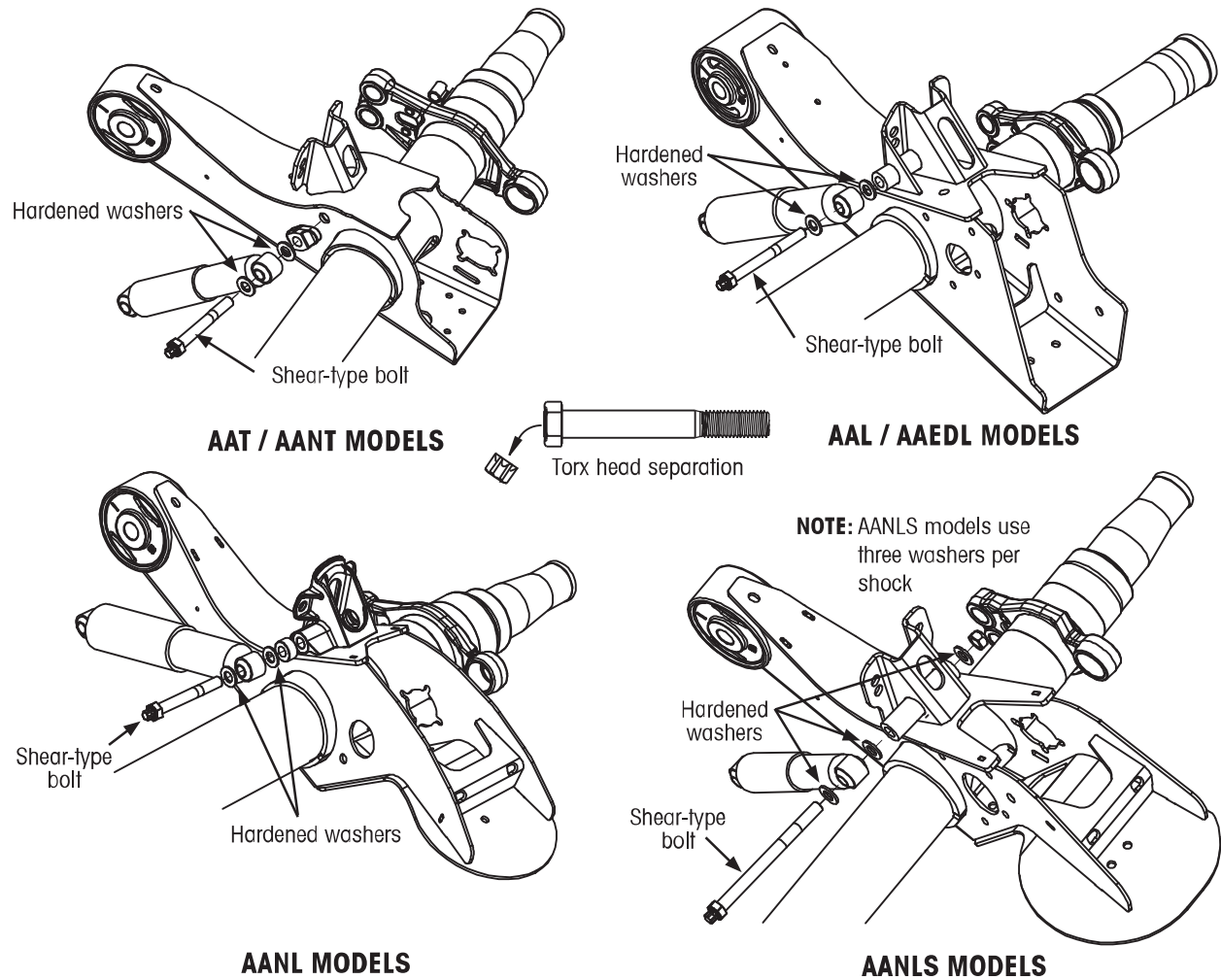


Figure 1: Lower shock mount assembly on suspensions without shock straps

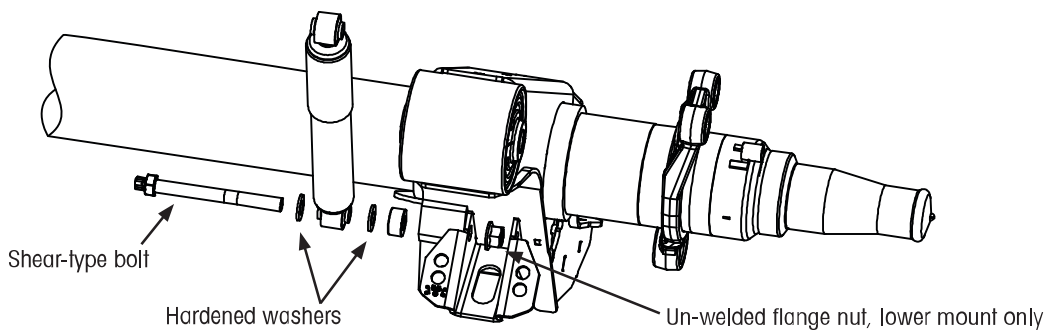


Figure 2: AAL lower shock mount with LDA axle

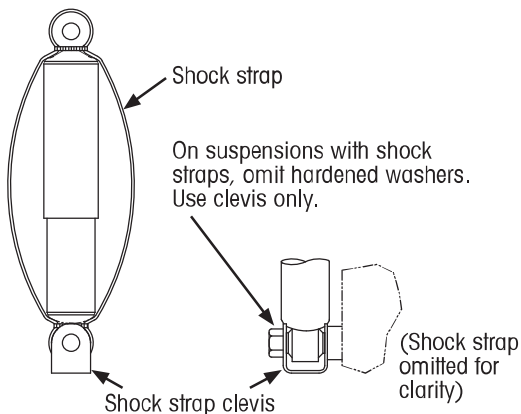


Figure 3: Lower shock mount assembly on suspensions with shock straps

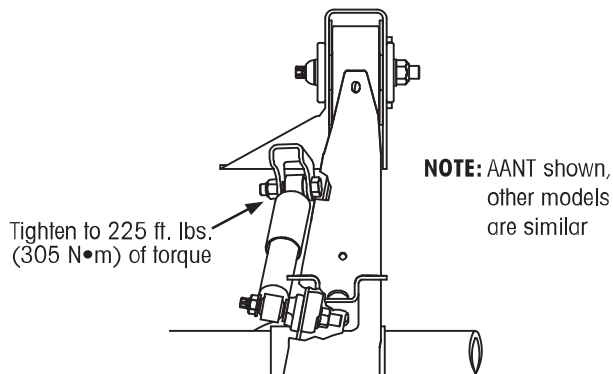


Figure 4: Upper shock mount assembly

If the nut on the inside of the suspension beam is damaged or cannot be reused (i.e., threads are stripped, nut is cracked, etc.), drill out the threads in the lower shock mounting block inside the suspension beam (Figure 5) and use the extra washer and nut provided in the shock bolt service kit to complete the lower shock mount.

Refer to Hendrickson publication L724 Shock Mount Replacement Procedures for more details on AAT and AANT model shock mount repair or contact Hendrickson Technical Services, in the United States at 866-743-3247 or in Canada 800-668-5360, for more details on AAL, AAEDL, AAEDT and AANLS model shock mount repair.

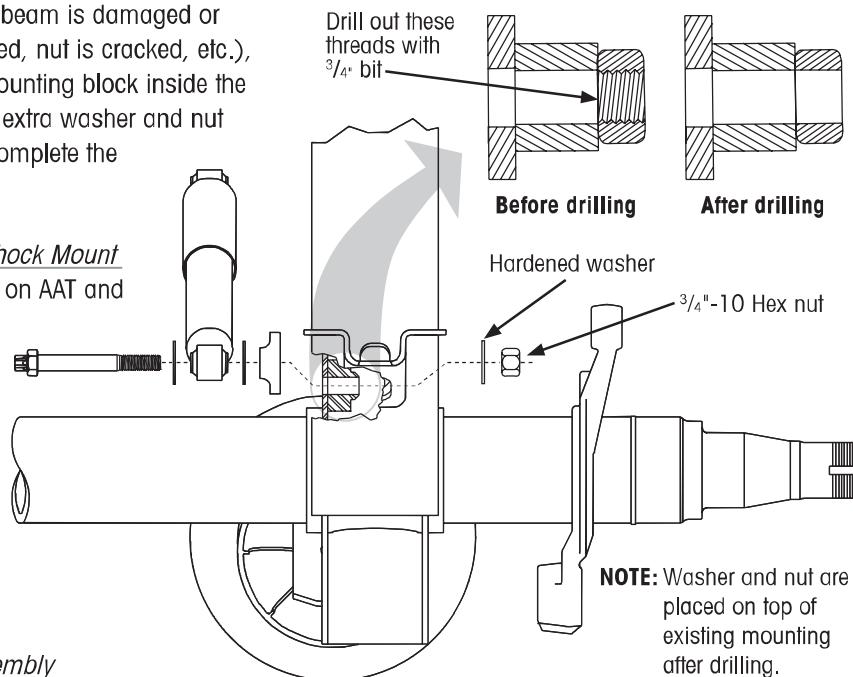


Figure 5: Damaged thread hardware assembly

www.hendrickson-intl.com



Hendrickson Canada
250 Chrysler Drive, Unit #3
Brampton, ON Canada L6S 6B6
905.789.1030
Fax 905.789.1033

Trailer Commercial Vehicle Systems
2070 Industrial Place SE
Canton, OH 44707-2641 USA

866.RIDEAIR (743.3247)
330.489.0045
Fax 800.696.4416

Hendrickson Mexicano
Circuito el Marqués Sur #29
Parque Industrial El Marqués
Pob. El Colorado, Municipio El Marqués,
Querétaro, México C.P. 76246
+52 (442) 296.3600
Fax: +52 (442) 296.3601