

# TECHNICAL PROCEDURE

## TRAILER SUSPENSION SYSTEMS

SUBJECT: Reapplying Axle Sealant Procedure

LIT NO: L839

DATE: June 2007

REVISION: A

Before an integrated suspension system leaves our facility, Hendrickson Trailer Suspension Systems applies a sealant to the axle around the axle wrap and to the pilot hole at the bottom of the axle wrap (figure 1). The purpose of this sealant is to help prevent crevice corrosion between the axle and the axle wrap.

After leaving our facility, some suspensions may undergo a media blasting process in preparation for final painting by trailer manufacturers. During this practice, the factory-applied axle sealant inadvertently gets removed along with any dirt, grease, rust and other targets of the blasting process. **To help prevent crevice corrosion and to help avoid any potential situations that would affect the suspension warranty, Hendrickson strongly recommends that the axle sealant be reapplied before final priming and painting.** The following illustration outlines the proper procedure for reapplying axle sealant after media blasting.

Required sealant: Sikaflex-221

Manufacturer: Sika Corporation  
30800 Stephenson Highway  
Madison Heights, MI 48071  
Tel: (248) 577-0020  
Fax: (248) 577-0810  
www.sikasolutions.com

NOTE: Suspension shown from the bottom.

Four places per axle. Apply  $\frac{3}{16}$ -inch (5mm) fillet of Sikaflex-221, 360° coverage.

Sealant should be conditioned to 70° - 80°F before use.

Recommended application temperature: 40° to 110°F

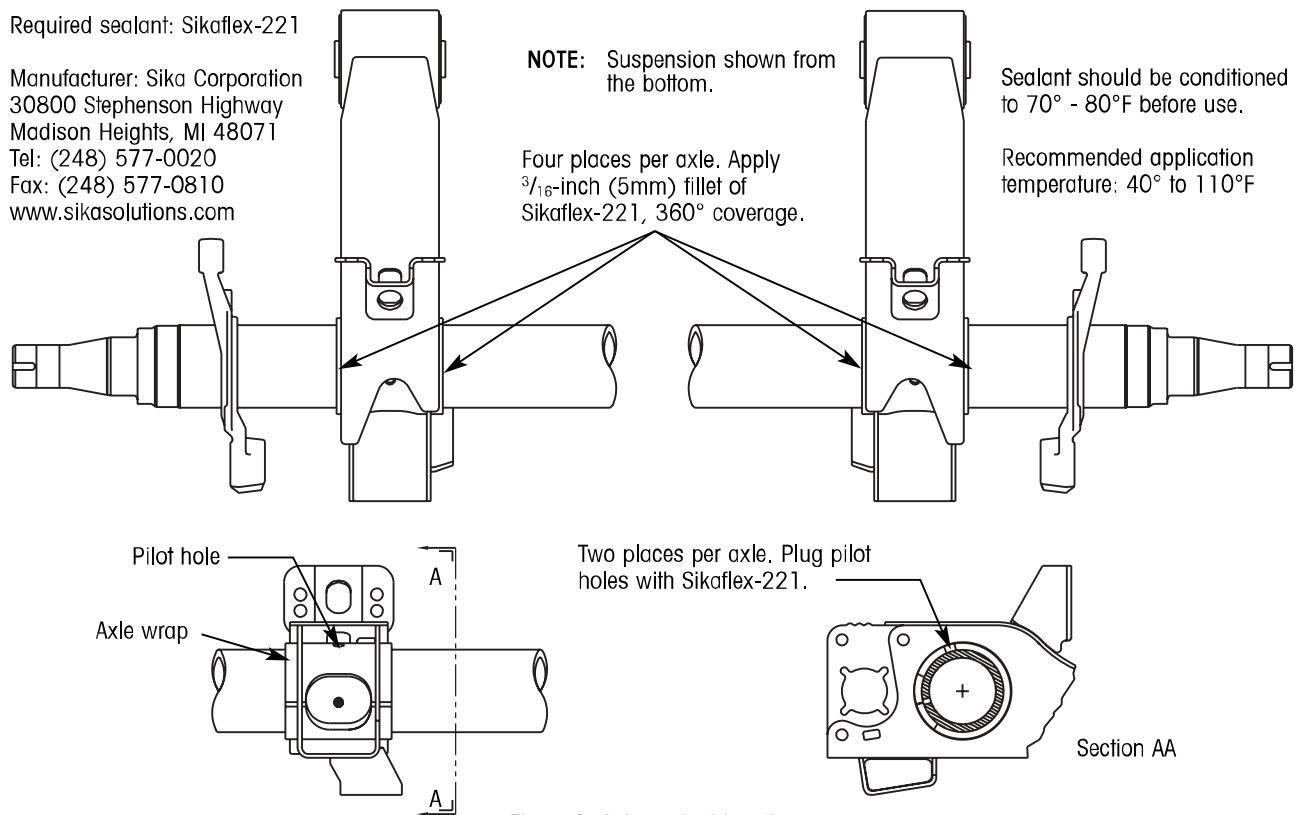


Figure 1. Axle sealant locations

www.hendrickson-intl.com

# HENDRICKSON

Trailer Suspension Systems  
250 Chrysler Drive, Unit #3  
Brampton, ON Canada L6S 6B6  
905.789.1030  
Fax 905.789.1033

Trailer Suspension Systems 866.RIDEAIR (743.3247)  
2070 Industrial Place SE 330.489.0045  
Canton, OH 44707-2641 USA Fax 800.696.4416

Trailer Suspension Systems  
Av. Industria Automotriz #200  
Parque Industrial Silva Aeropuerto  
Apodaca, N.L., México C.P. 66600  
(52) 81 8288 1300  
Fax (52) 81 8288 1301